

INSTALLATION INSTRUCTIONS

WEIGHT BOX
MFG. NO. 1690624



WARNING

Before installing the kit or making any adjustments, disengage the PTO, set the parking brake, shift into gear, stop the engine and remove the key.

KIT PARTS

This kit contains the parts shown in figure 1.

PROCEDURE

1. The tractor must be equipped with a drawbar, or, if tractor has variable speed control lever, a rear implement attachment kit (#1685200).
2. To install the spacers, first remove existing nuts, lockwashers and nuts (A, B and C, figure 2) from each side of tractor. Install the spacers, washers, and capscrews from kit as shown in figure 2 with existing lockwashers and nuts.
3. Hook the weight box arms under the spacers and allow weight box to rest on drawbar. The hole in bottom of weight box must be aligned with hole in drawbar.
4. Insert the pin (H, figure 1) from top thru hole in weight box and drawbar. Secure pin with the clip (G).

5. Slide the door (A, figure 1) down into position inserting pin on bottom of door thru hole in weight box. Install the safety clip (C) in the pin to hold door in place.

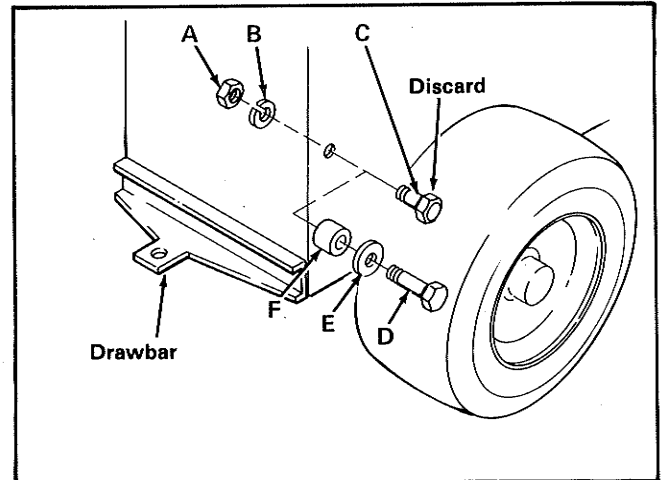
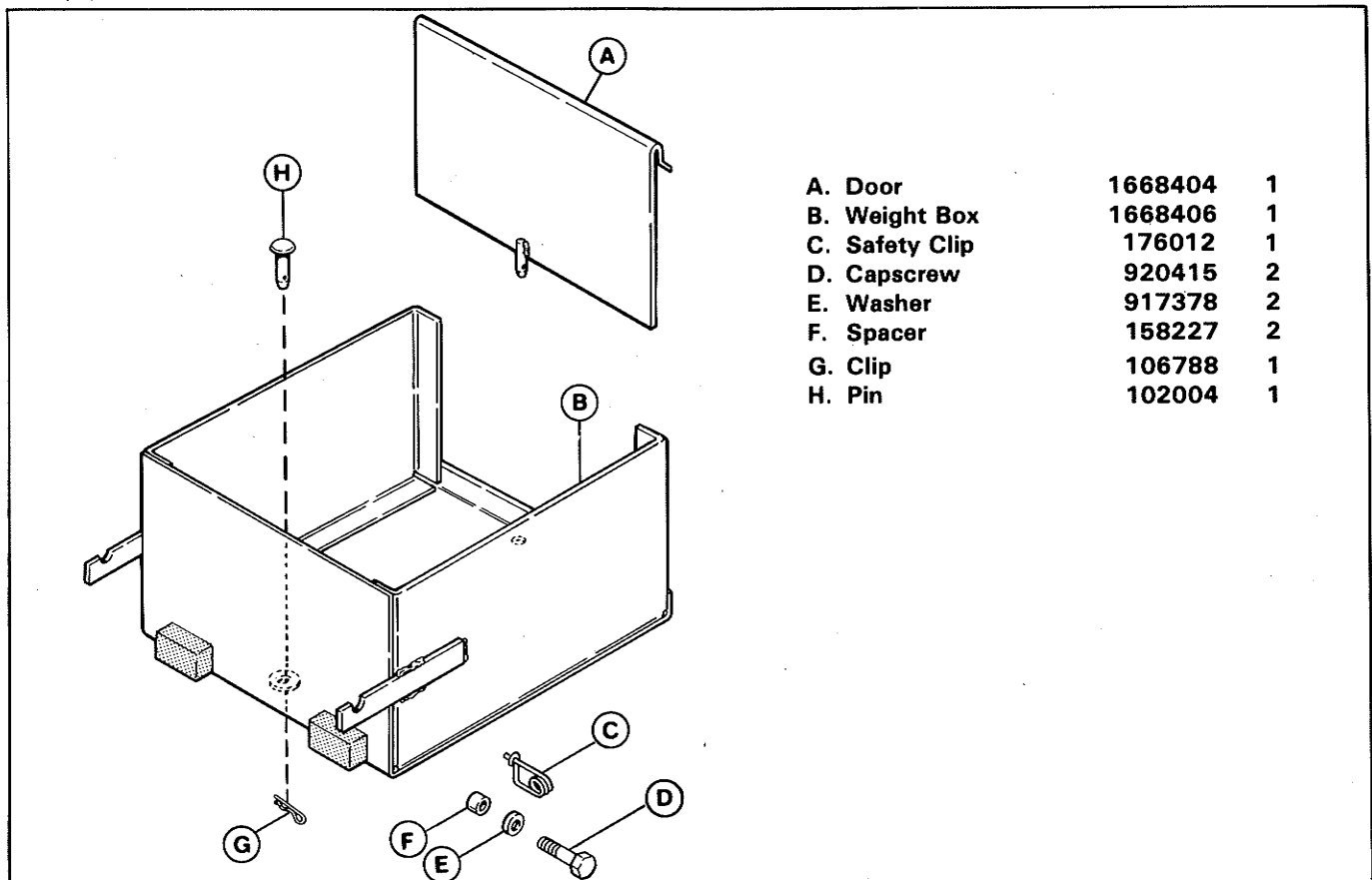


Figure 2. Installing Spacers

- | | |
|--------------------------|------------------------|
| A. Nut (existing) | D. Spacer (from kit) |
| B. Lockwasher (existing) | E. Washer (from kit) |
| C. Capscrew (existing) | F. Capscrew (from kit) |



A. Door	1668404	1
B. Weight Box	1668406	1
C. Safety Clip	176012	1
D. Capscrew	920415	2
E. Washer	917378	2
F. Spacer	158227	2
G. Clip	106788	1
H. Pin	102004	1

Figure 1. Weight Box Kit

